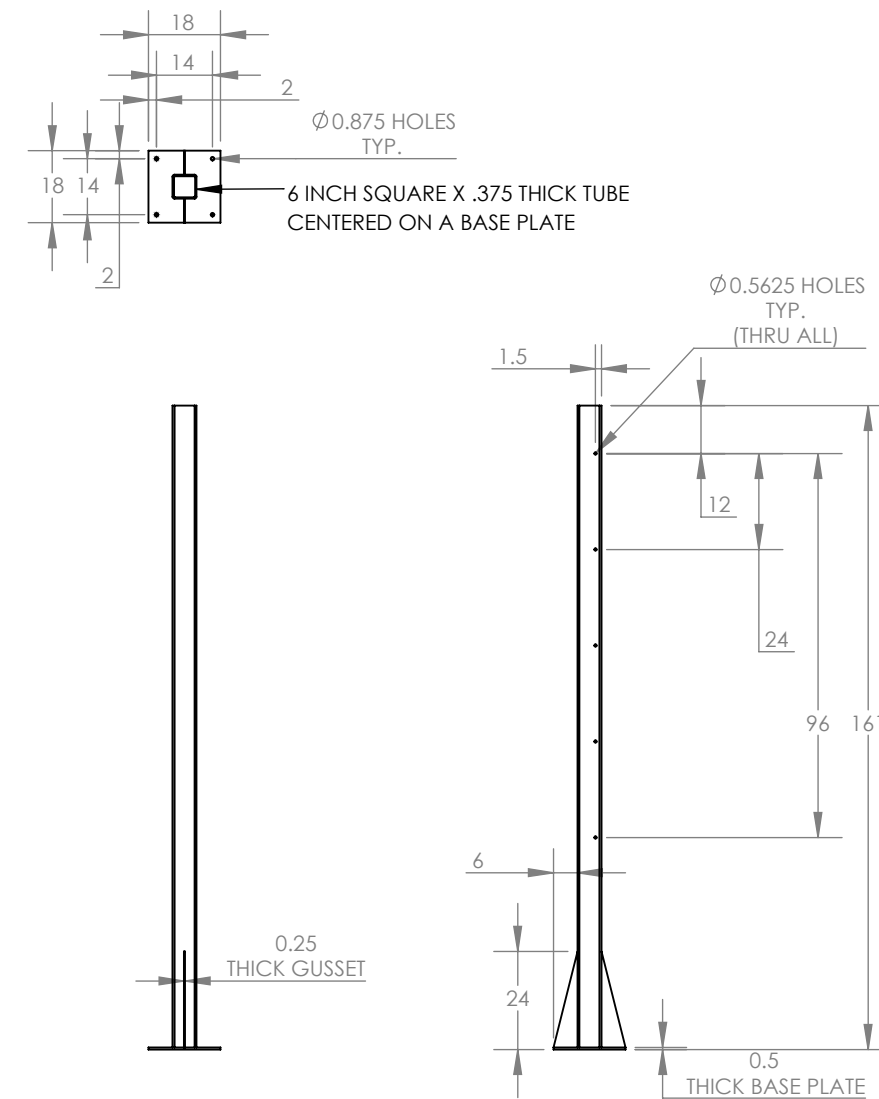


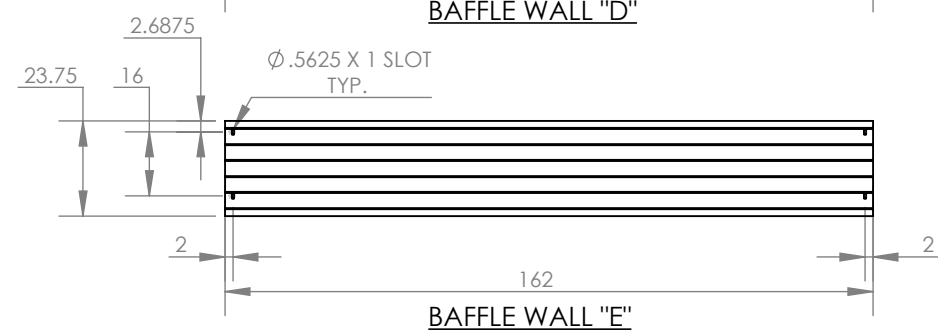
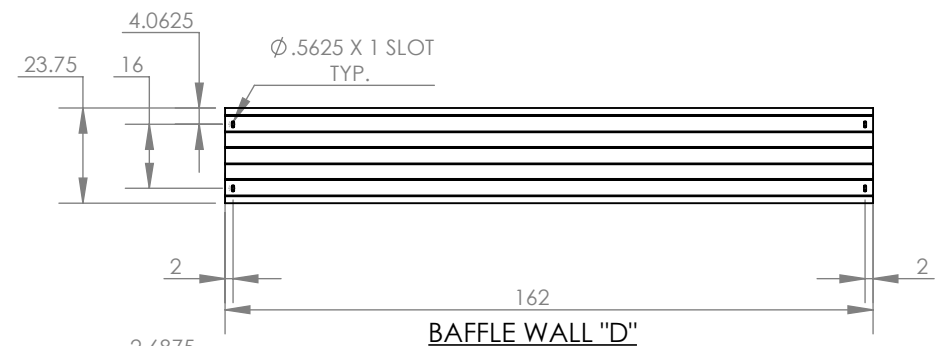
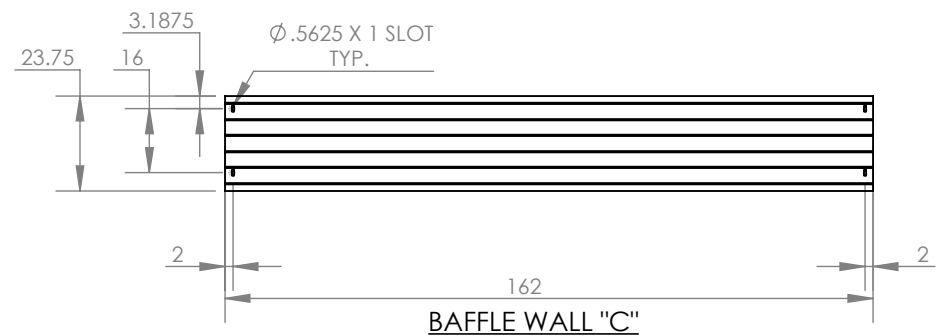
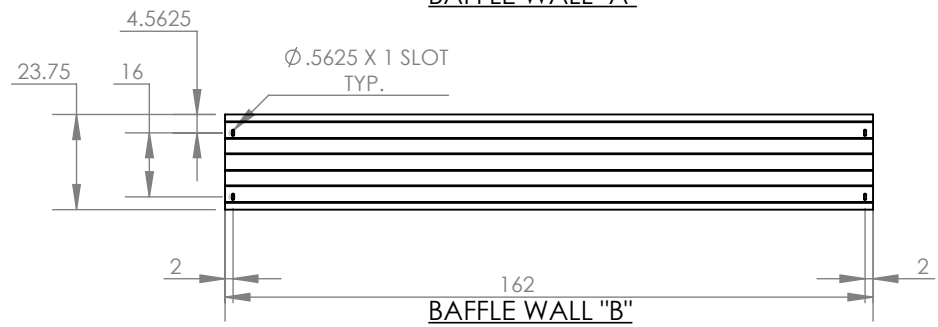
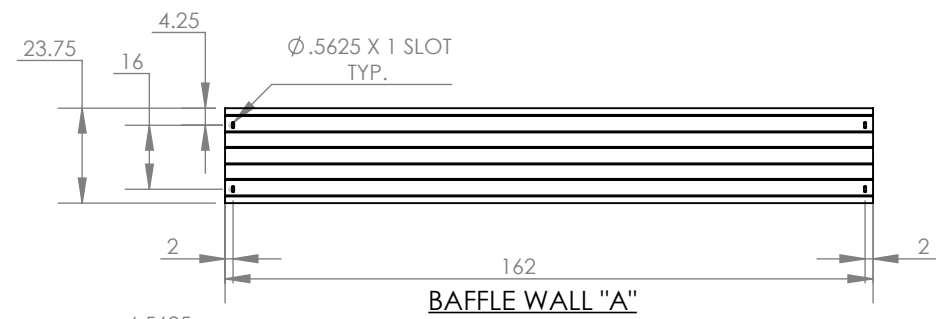
**BAFFLE WALL ASSEMBLY**



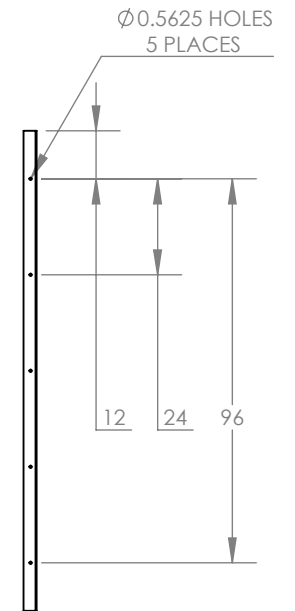
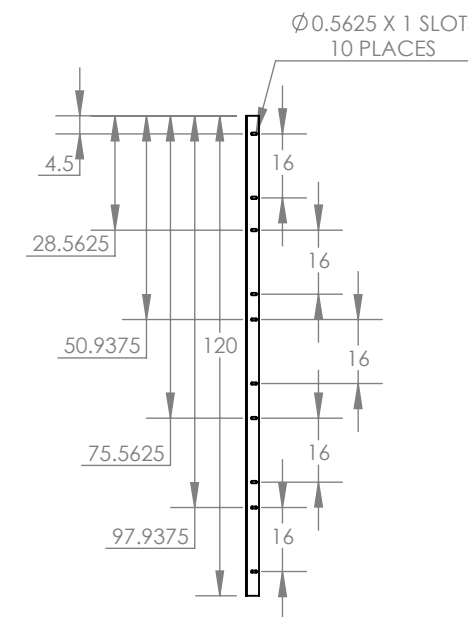
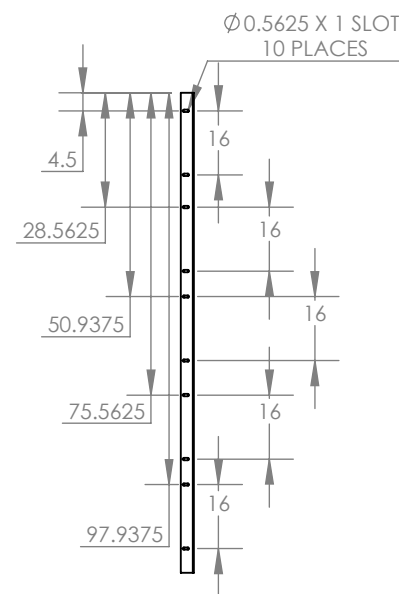
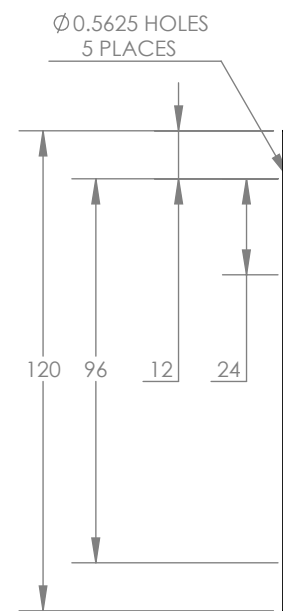
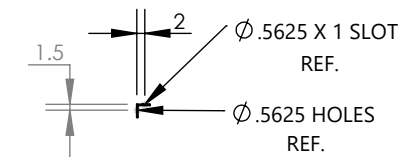
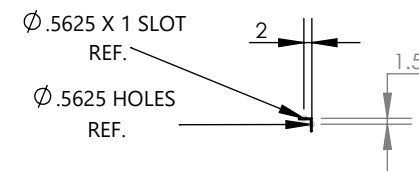
**COLUMN**

NOTE: DIMENSIONS AND LAYOUT ARE FOR REFERENCE ONLY.  
 PROJECTION REQUIREMENTS WILL DICTATE SIZES AND CONGIFURATIONS.  
 ALL DIMNESIONS ARE IN INCHES.

SHEET NO.	DIVISION: NWTP		NO.	REVISIONS	DATE	NATIONAL WATER TREATMENT PRODUCTS has no responsibility for the contract design of the product or the contract specifications. NWTP has been selected to manufacture this product, the customer agrees to indemnify and hold NWTP harmless from and against all merchantability and fitness for purpose (including all liability for claims, suits, judgements and expenses), unless the product as manufactured by NWTP does not conform to the contract design and specifications set or NWTP's shop drawings approved by the customer.	
	DRAWN BY: x						
x	CHECKED BY:		SCALE:	TITLE: Baffle Wall Example	REF:		
	APPROVED BY:						
	DATE: x						



NOTE: DIMENSIONS AND LAYOUT ARE FOR REFERENCE ONLY.  
 PROJECTION REQUIREMENTS WILL DICTATE SIZES AND CONFIGURATIONS.  
 ALL DIMENSIONS ARE IN INCHES.



SHEET NO.	DIVISION: NWTP
x	DRAWN BY: x
	CHECKED BY:
	APPROVED BY:
	DATE: x

SCALE:
TITLE: Baffle Wall Example
REF:



NO.	REVISIONS	DATE

NATIONAL WATER TREATMENT PRODUCTS has no responsibility for the contract design of the product or the contract specifications. NWTP has been selected to manufacture this product, the customer agrees to indemnify and hold NWTP harmless from and against all merchantability and fitness for purpose (including all liability for claims, suits, judgements and expenses), unless the product as manufactured by NWTP does not conform to the contract design and specifications set or NWTP's shop drawings approved by the customer.