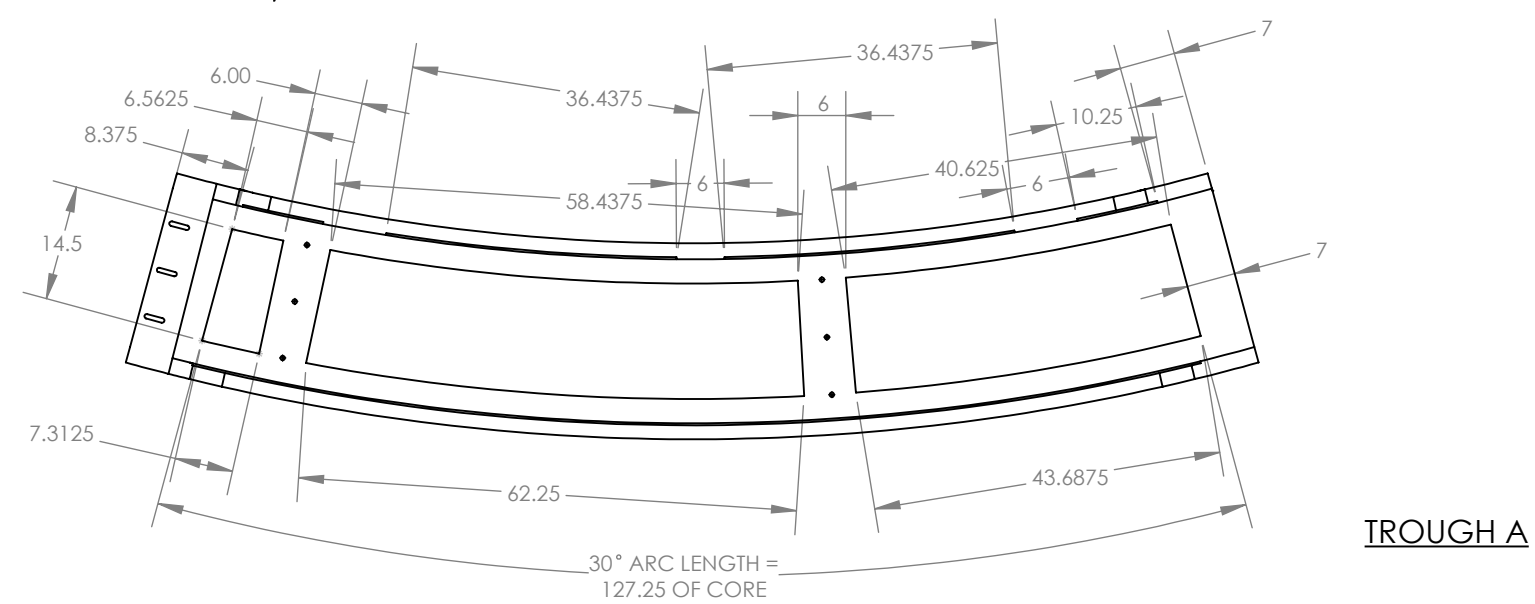


SECTION C-C



NOTE:  
ALL DIMENSIONS ARE IN INCHES.

**PROPRIETARY AND CONFIDENTIAL**  
THE INFORMATION CONTAINED IN THIS DRAWING IS THE SOLE PROPERTY OF NATIONAL WATER TREATMENT PRODUCTS. ANY REPRODUCTION IN PART OR AS A WHOLE WITHOUT THE WRITTEN PERMISSION OF NWTP IS PROHIBITED.

SHEET NO.	DIVISION: NWTP		NO.	REVISIONS	DATE	NATIONAL WATER TREATMENT PRODUCTS has no responsibility for the contract design of the product or the contract specifications. NWTP has been selected to manufacture this product, the customer agrees to indemnify and hold NWTP harmless from and against all merchantability and fitness for purpose (including all liability for claims, suits, judgements and expenses), unless the product as manufactured by NWTP does not conform to the contract design and specifications set or NWTP's shop drawings approved by the customer.
	DRAWN BY: x					
1	CHECKED BY:					
	APPROVED BY:					
	DATE: x		SCALE:	TITLE: Square Bottom Trough Details	REF:	