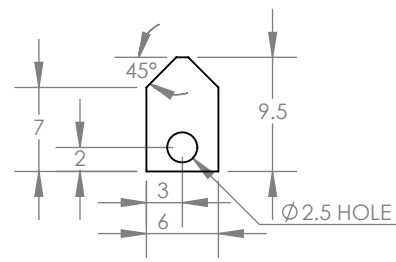


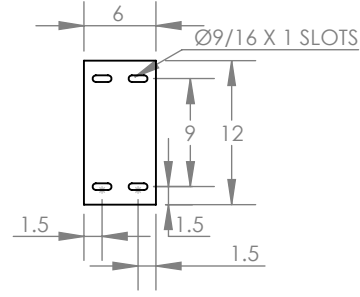
(x) Øxx'-x" TANK

WEIR CIRCUMFERENCE _____xxx.xx'
 BAFFLE CIRCUMFERENCE _____xxx.xx'

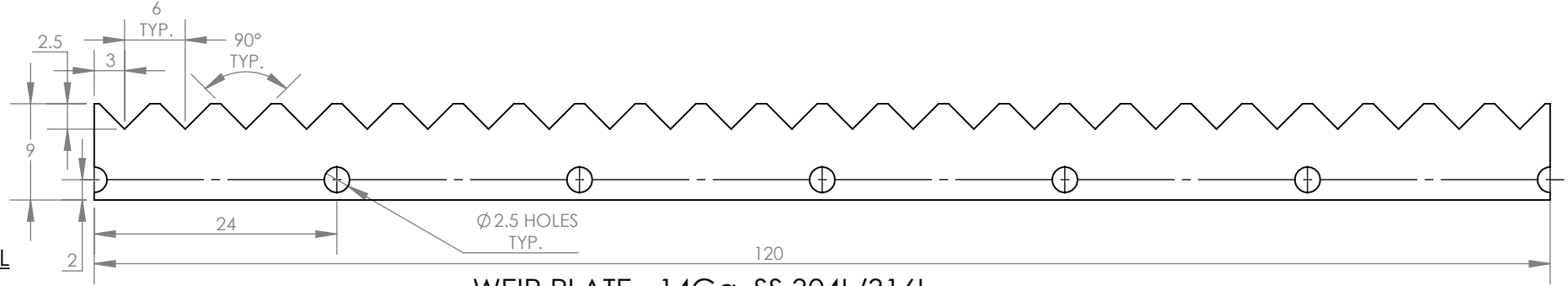
WEIR BUTT PLATE - 14Ga. SS 304L/316L



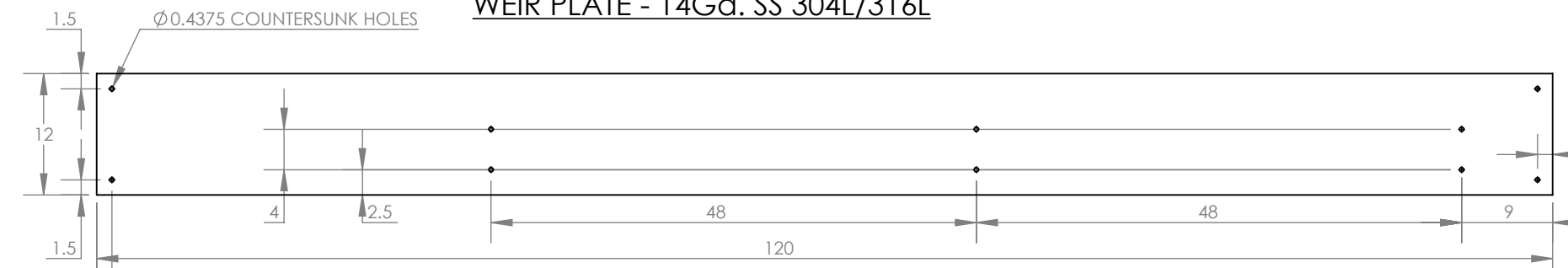
BAFFLE BUTT PLATE - 10Ga. SS 304L/316L



WEIR PLATE - 14Ga. SS 304L/316L

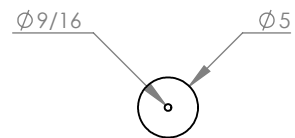


BAFFLE PLATE - 10Ga. SS 304L/316L

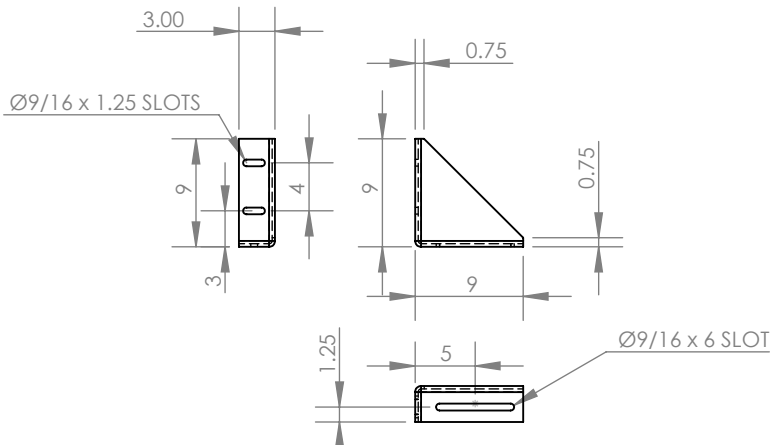


*SPACING FOR BAFFLE SUPPORTS AT CONCRETE = x'-xx"

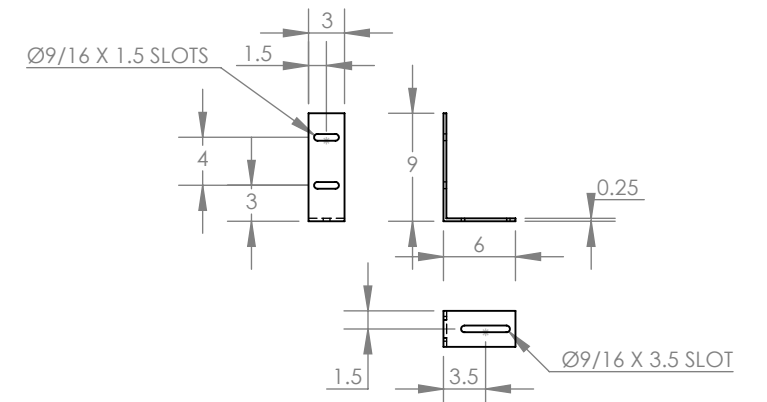
Ø5.0" WASHER



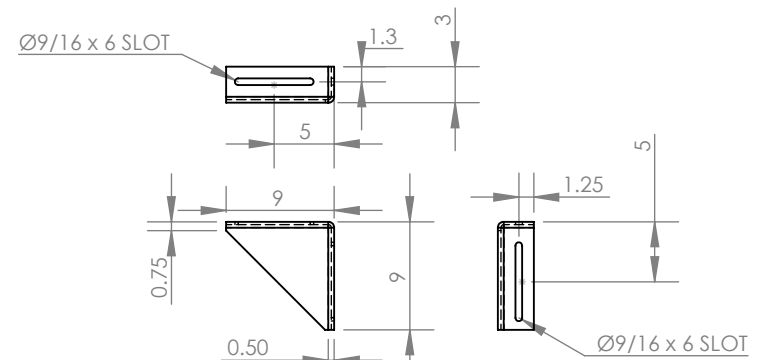
UPPER BAFFLE SUPPORT - 3Ga. SS 304L/316L



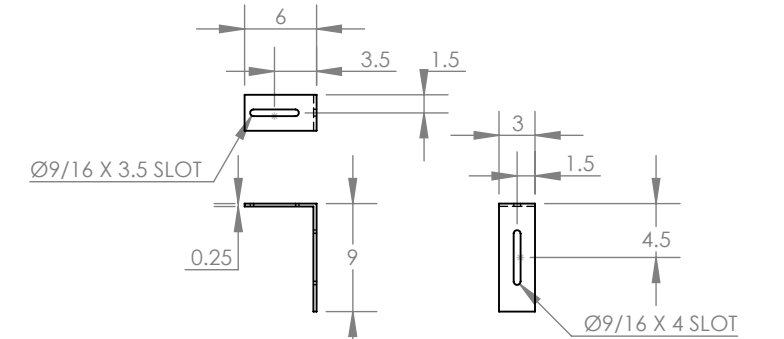
UPPER BAFFLE SUPPORT - 3Ga. SS 304L/316L



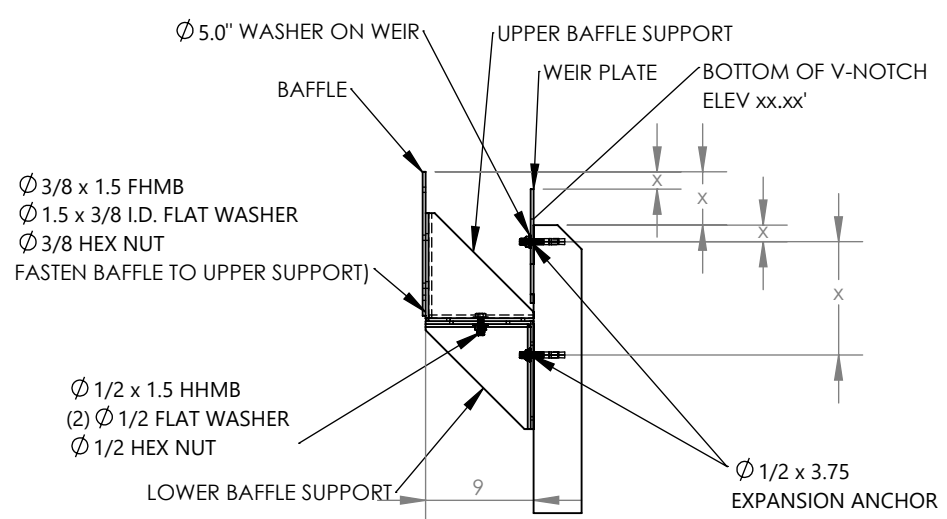
LOWER BAFFLE SUPPORT - 3Ga. SS 304L/316L



LOWER BAFFLE SUPPORT - 3Ga. SS 304L/316L



SUPPORT STYLE WHEN ALGAE SWEEP SYSTEM IS PRESENT



TYPICAL WEIR AND BAFFLE SECTION

TYPICAL SUPPORT STYLE

SWEEP SYSTEM IS PRESENT



| | | | | | | |
|--------------|----------------|--|------|-----------|------|---|
| SHEET NO. | DIVISION: NWTP | | NO. | REVISIONS | DATE | NATIONAL WATER TREATMENT PRODUCTS has no responsibility for the contract design of the product or the contract specifications. NWTP has been selected to manufacture this product, the customer agrees to indemnify and hold NWTP harmless from and against all merchantability and fitness for purpose (including all liability for claims, suits, judgements and expenses), unless the product as manufactured by NWTP does not conform to the contract design and specifications set or NWTP's shop drawings approved by the customer. |
| | DRAWN BY: x | | | | | |
| CHECKED BY: | | | | | | |
| APPROVED BY: | | | | | | |
| DATE: x | | | | | | |
| x | SCALE: | TITLE: Weir and Baffle Typical Details | REF: | | | |