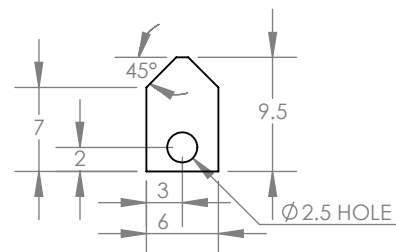
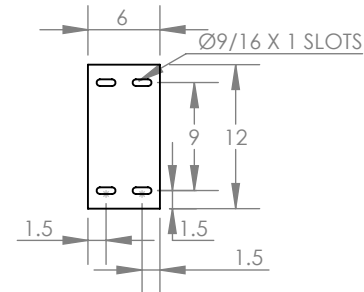


(x) Øxx'-x" TANK

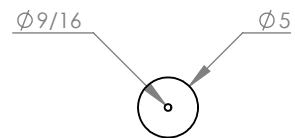
WEIR CIRCUMFERENCE _____xxx.xx'
 BAFFLE CIRCUMFERENCE _____xxx.xx'



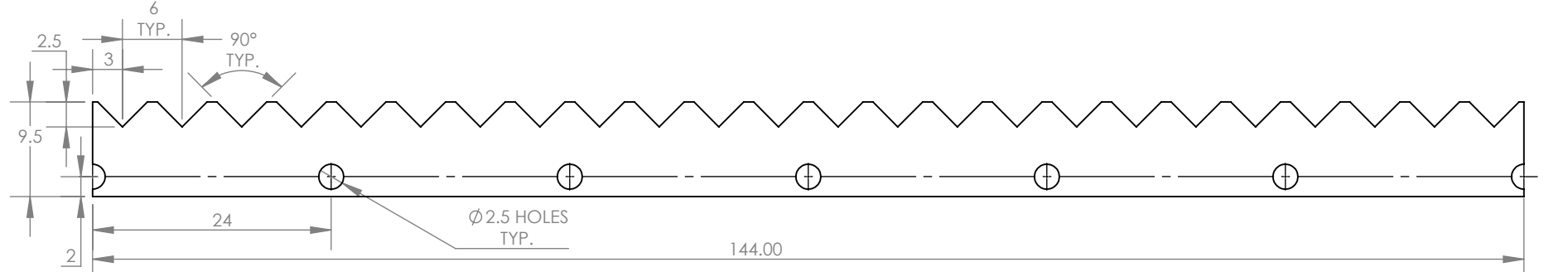
WEIR BUTT PLATE



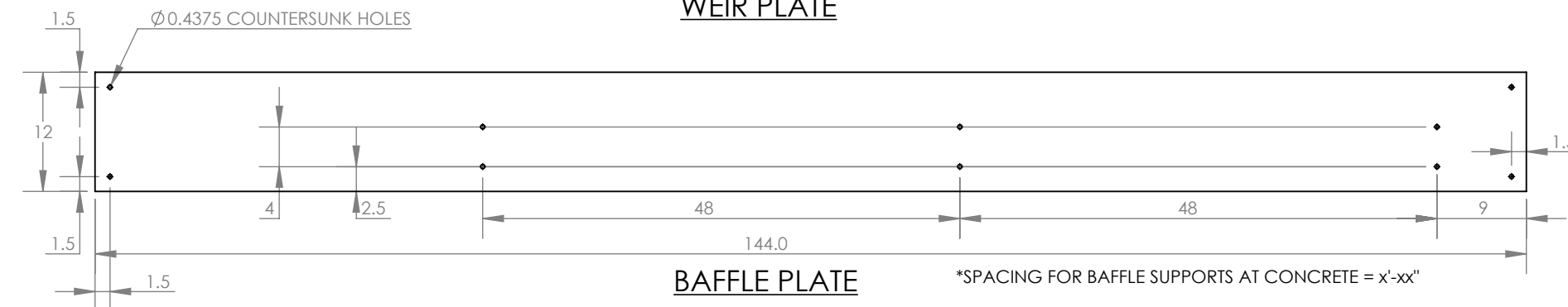
BAFFLE BUTT PLATE



Ø5.0" WASHER

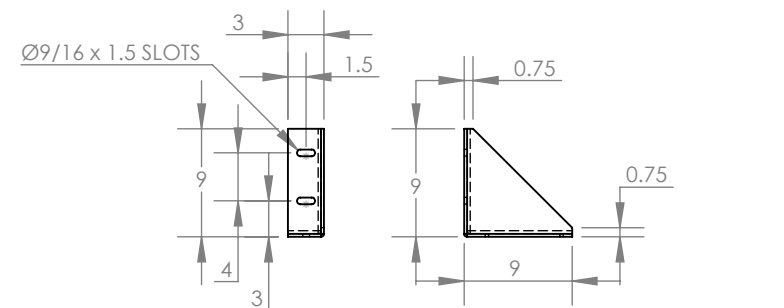


WEIR PLATE

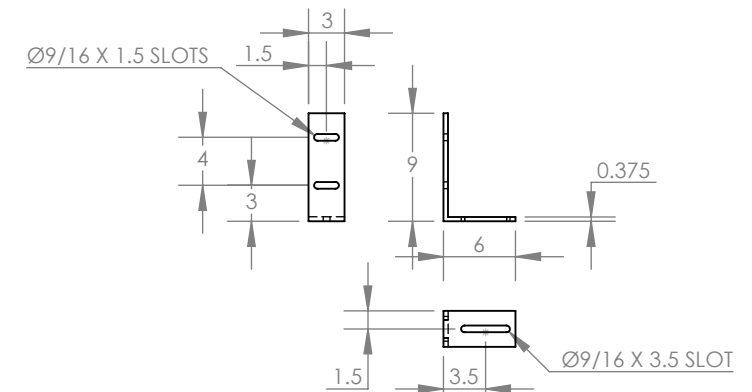


BAFFLE PLATE

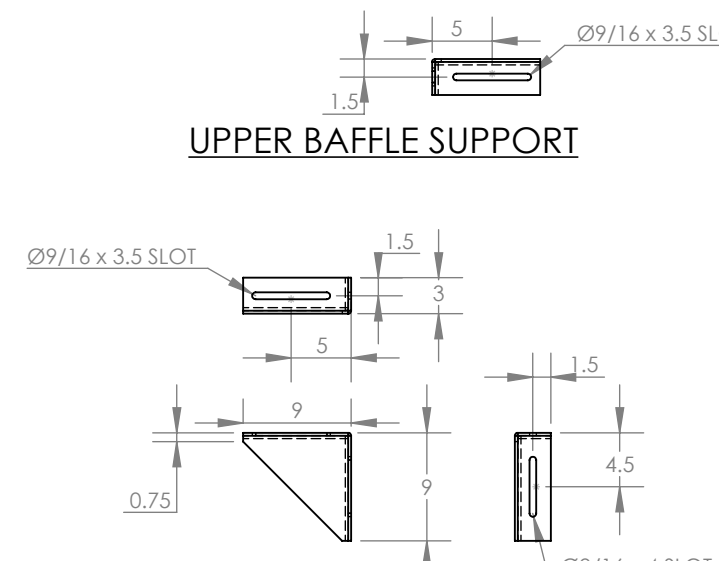
*SPACING FOR BAFFLE SUPPORTS AT CONCRETE = x'-xx"



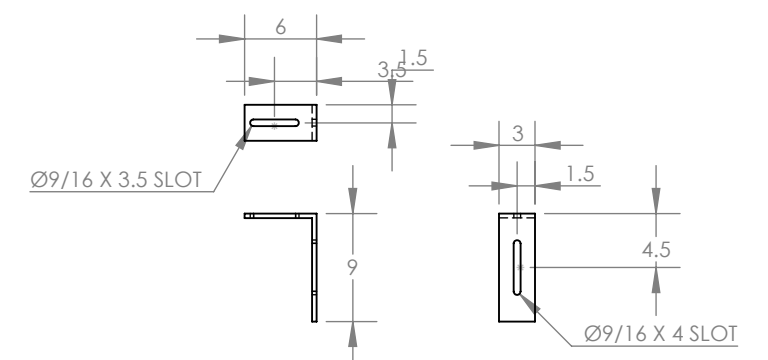
UPPER BAFFLE SUPPORT



UPPER BAFFLE SUPPORT



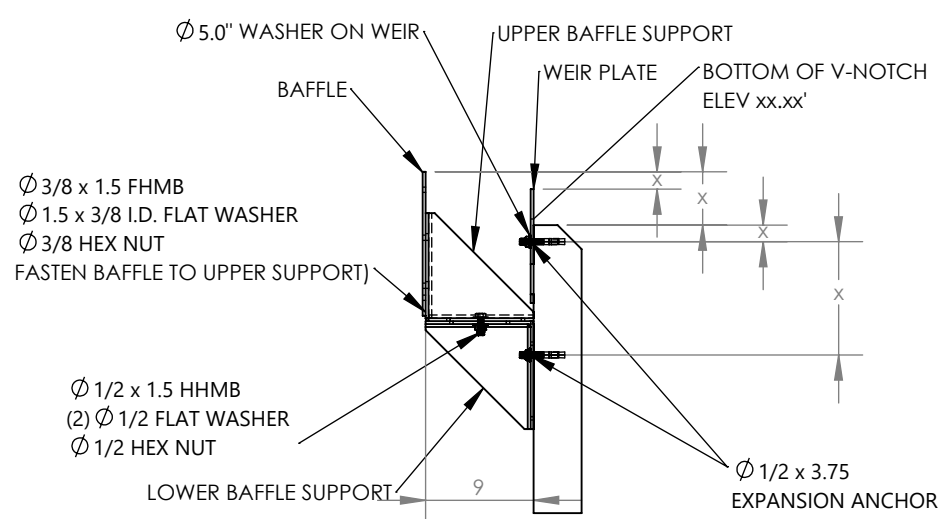
LOWER BAFFLE SUPPORT



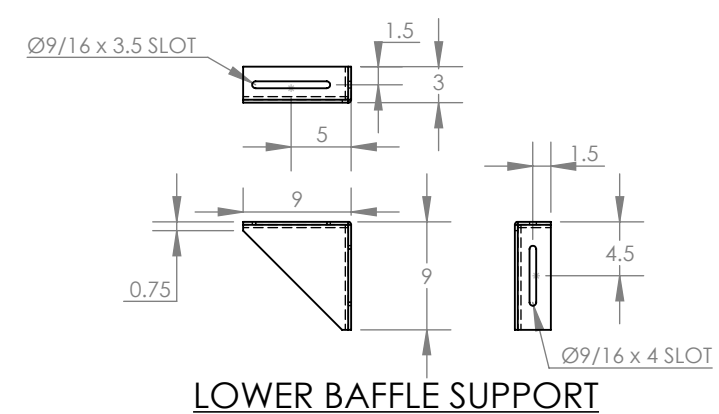
LOWER BAFFLE SUPPORT

SUPPORT STYLE WHEN ALGAE

SWEEP SYSTEM IS PRESENT



TYPICAL WEIR AND BAFFLE SECTION



TYPICAL SUPPORT STYLE



SHEET NO.	DIVISION: NWTP	NO.	REVISIONS	DATE	NATIONAL WATER TREATMENT PRODUCTS has no responsibility for the contract design of the product or the contract specifications. NWTP has been selected to manufacture this product, the customer agrees to indemnify and hold NWTP harmless from and against all merchantability and fitness for purpose (including all liability for claims, suits, judgements and expenses), unless the product as manufactured by NWTP does not conform to the contract design and specifications set or NWTP's shop drawings approved by the customer.
	CHECKED BY:				
x	APPROVED BY:				
	DATE: x	SCALE:	TITLE: Weir and Baffle Typical Details	REF:	