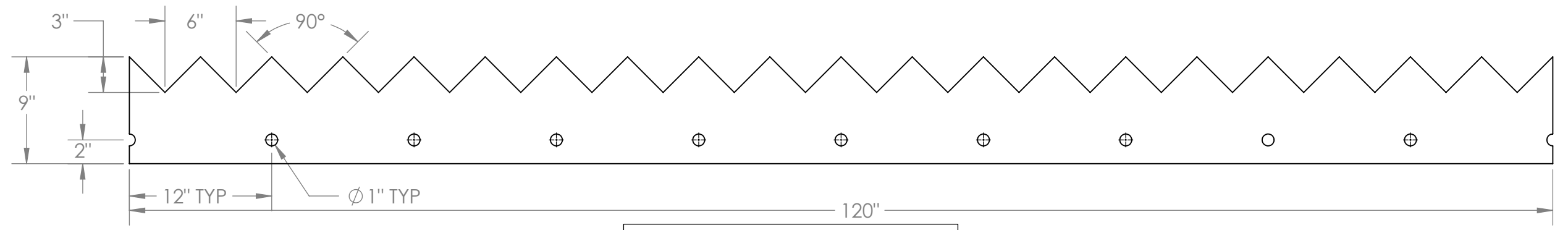
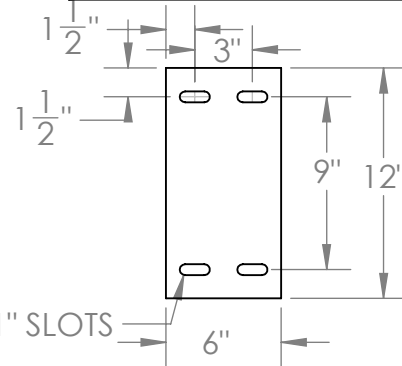


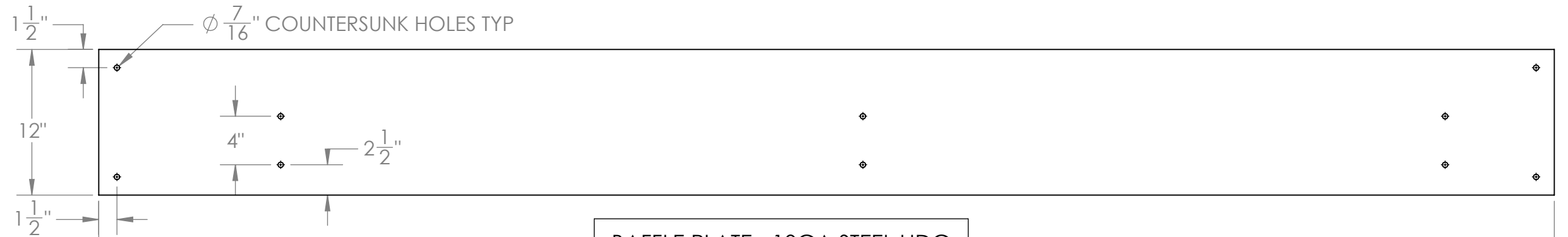
**WEIR BUTT PLATE - 14GA STEEL HDG**



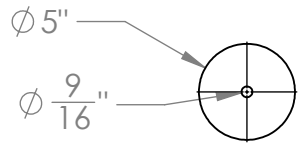
**WEIR PLATE - 14GA STEEL HDG**



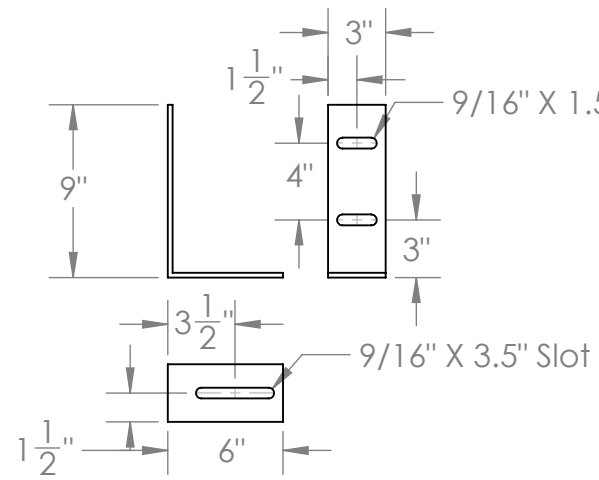
**BAFFLE BUTT PLATE - 10 GA STEEL HDG**



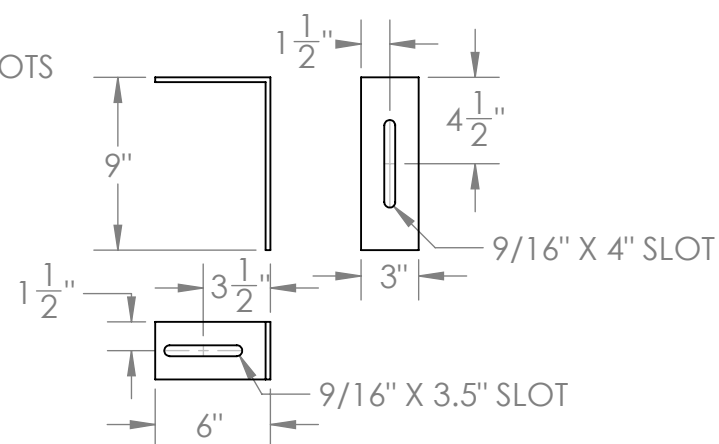
**BAFFLE PLATE - 10GA STEEL HDG**



**WASHER - 14 GA STEEL HDG**



**UPPER BAFFLE SUPPORT 1/4" STEEL HDG**



**LOWER BAFFLE SUPPORT 1/4" STEEL HDG**

TYPE	QUANTITY	DESCRIPTION
WEIR	X	Weir Plate 14 GA Steel HDG
BAFFLE	X	Baffle Plate 10GA Steel HDG
WEIR BUTT PLATE	X	Weir Butt Plate 14 GA Steel HDG
BAFFLE BUTT PLATE	X	Baffle Butt Plate 10 ga Steel HDG
UPPER SUPPORT	X	Upper Baffle Support 1/4" Steel HDG
LOWERSUPPORT	X	Lower Baffle Support 1/4" Steel
WASHERS	X	Washer 14 GA HDG

Sheet No. 1	DIVISION: NWTP
	DRAWN BY: AJV
	CHECKED BY:
	APPROVED BY:
	DATE: 9/27/2024

**NATIONAL**  
WATER TREATMENT PRODUCTS

SCALE: 1:10      TITLE: Weir and Baffle Typical Details      REF:

NO.	REVISIONS	DATE
1		9/27

NATIONAL WATER TREATMENT PRODUCTS has no responsibility for the contract design of the product or the contract specifications. NWTP has been selected to manufacture this product, the customer agrees to indemnify and hold NWTP harmless from and against all merchantability and fitness for purpose (including all liability for claims, suits, judgements and expenses), unless the product as manufactured by NWTP does not conform to the contract design and specifications set or NWTP's shop drawings approved by the customer.