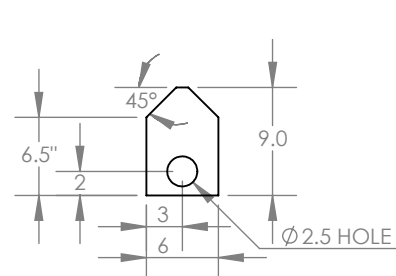
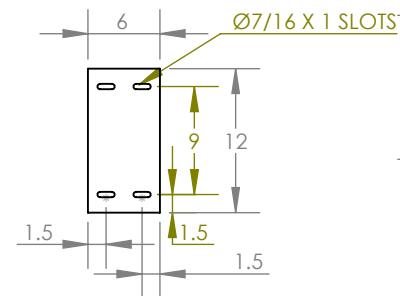


(x) Øxx'-x" TANK

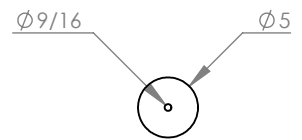
WEIR CIRCUMFERENCE \_\_\_\_\_xxx.xx'  
 BAFFLE CIRCUMFERENCE \_\_\_\_\_xxx.xx'



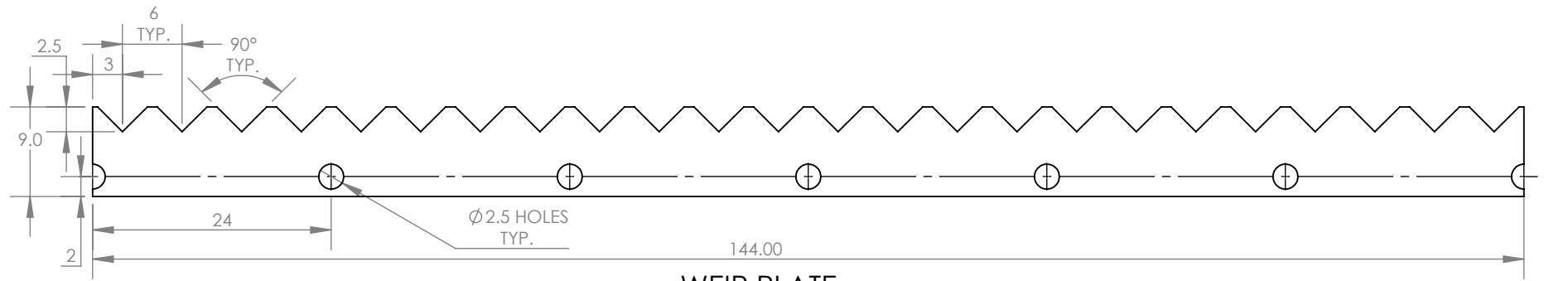
**WEIR BUTT PLATE**



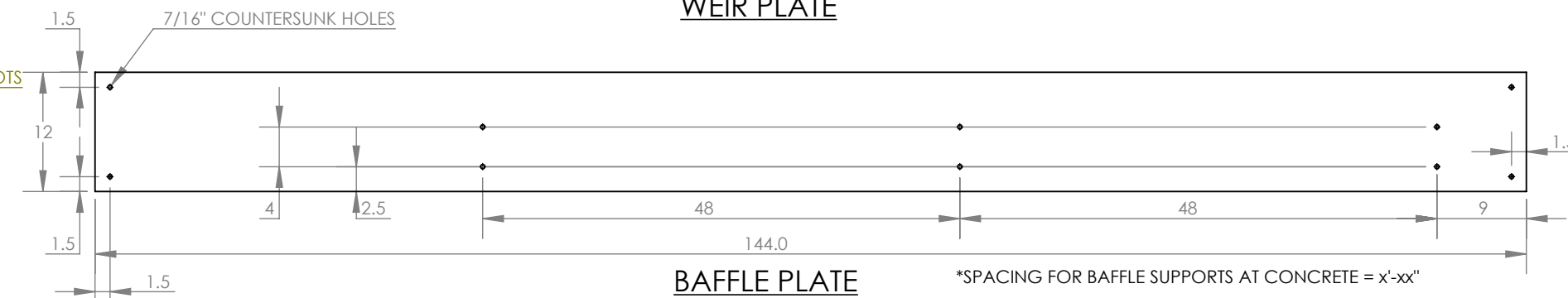
**BAFFLE BUTT PLATE**



**Ø5.0" WASHER**

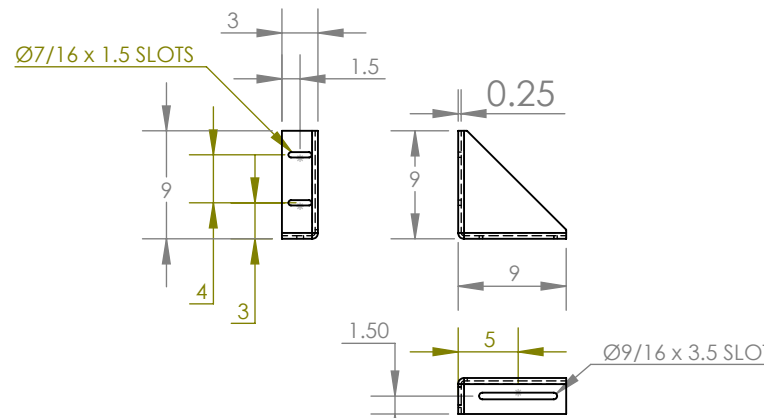


**WEIR PLATE**

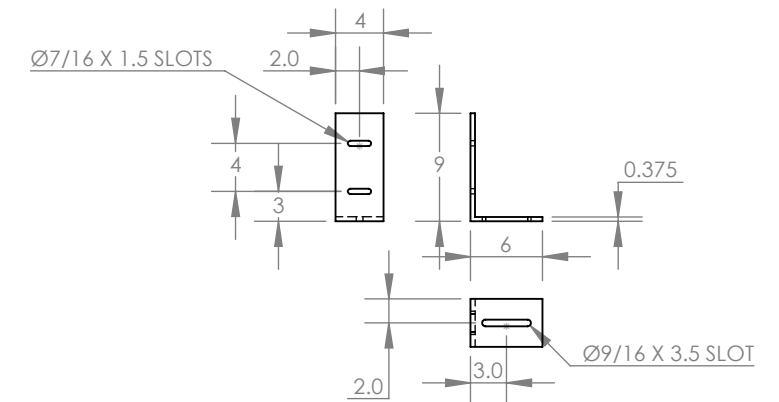


**BAFFLE PLATE**

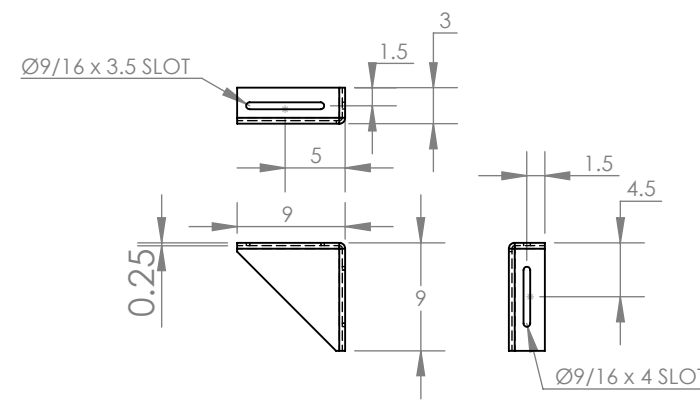
\*SPACING FOR BAFFLE SUPPORTS AT CONCRETE = x'-xx"



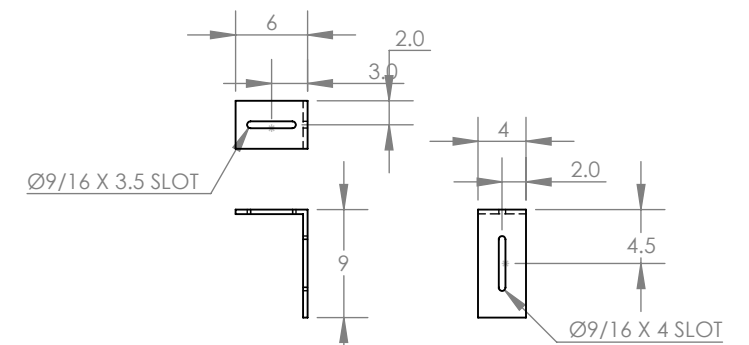
**UPPER BAFFLE SUPPORT**



**UPPER BAFFLE SUPPORT**



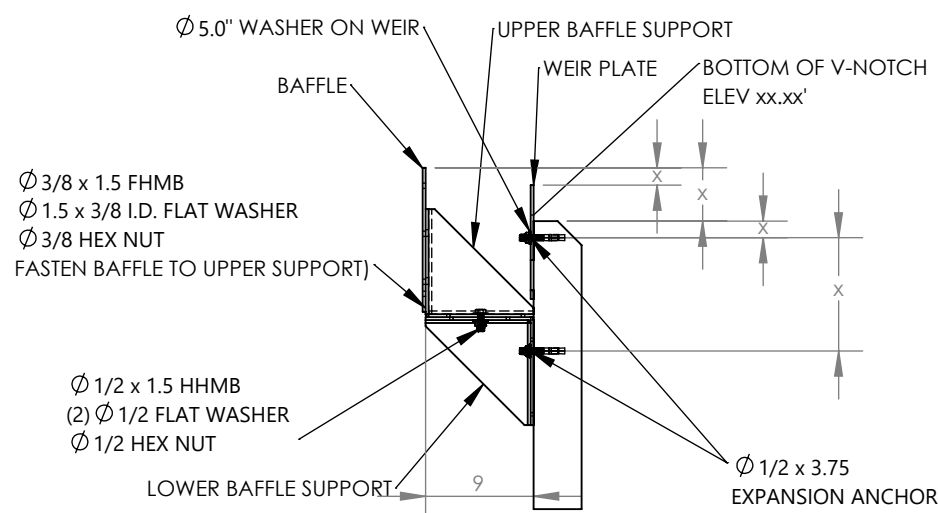
**LOWER BAFFLE SUPPORT**



**LOWER BAFFLE SUPPORT**

**SUPPORT STYLE WHEN ALGAE**

**SWEEP SYSTEM IS PRESENT**



**TYPICAL WEIR AND BAFFLE SECTION**

**TYPICAL SUPPORT STYLE**



SHEET NO.	DIVISION: NWTP	NO. _____ REVISIONS _____ DATE _____	NATIONAL WATER TREATMENT PRODUCTS has no responsibility for the contract design of the product or the contract specifications. NWTP has been selected to manufacture this product, the customer agrees to indemnify and hold NWTP harmless from and against all merchantability and fitness for purpose (including all liability for claims, suits, judgements and expenses), unless the product as manufactured by NWTP does not conform to the contract design and specifications set or NWTP's shop drawings approved by the customer.
	DRAWN BY: x		
	CHECKED BY:		
x	APPROVED BY:	TITLE: Weir and Baffle Typical Details	REF: _____
	DATE: x	SCALE: _____	