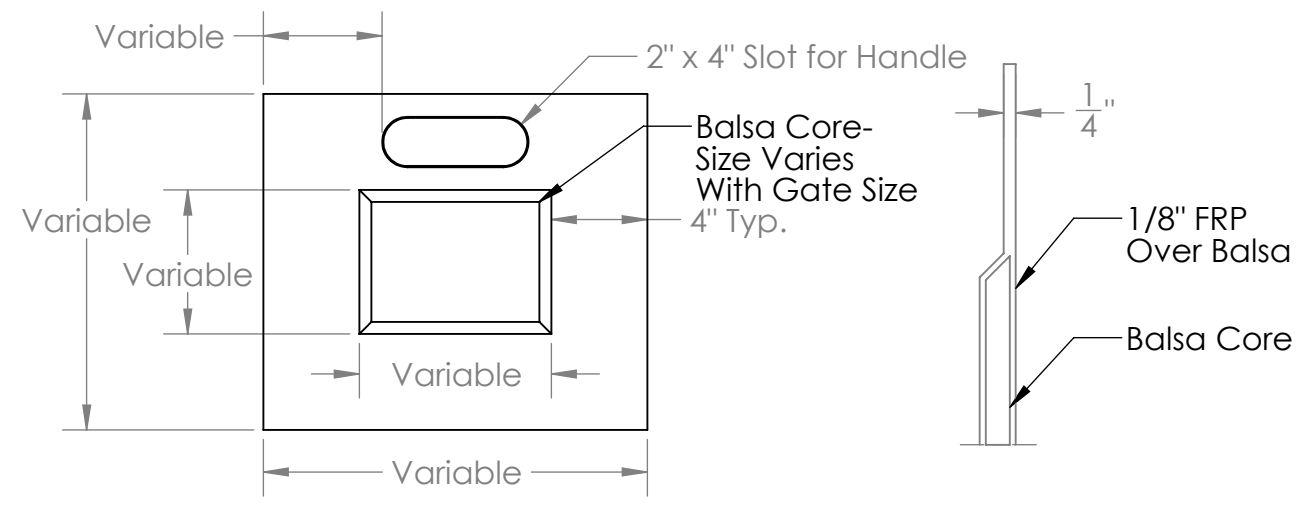
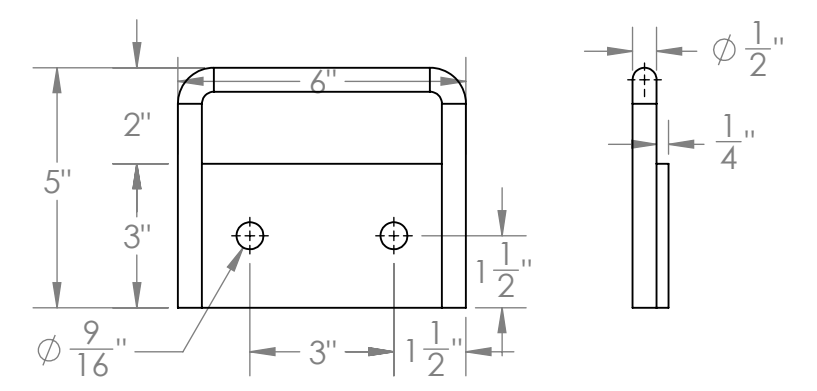


WALL MOUNTED GUIDE DETAIL

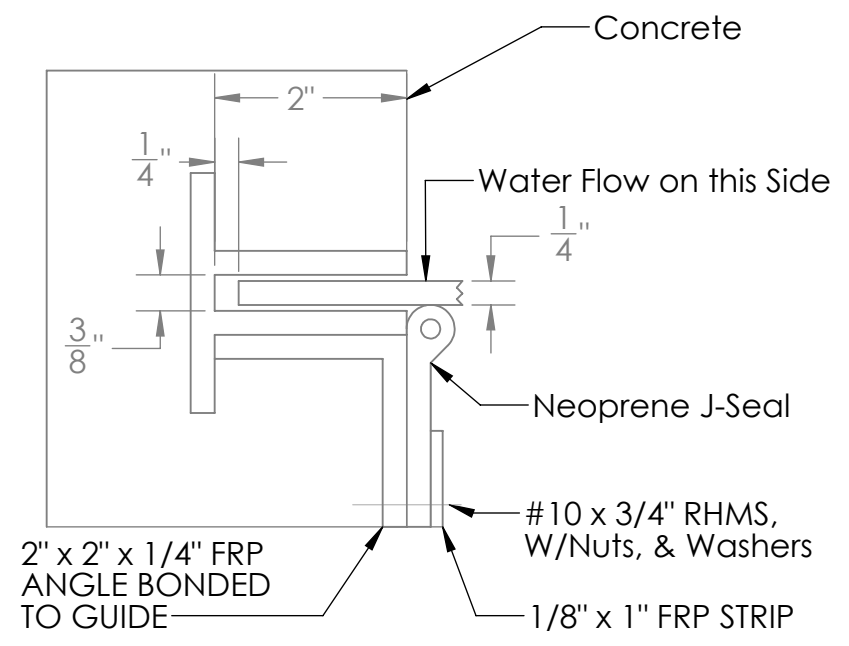


Typ. Gate Detail

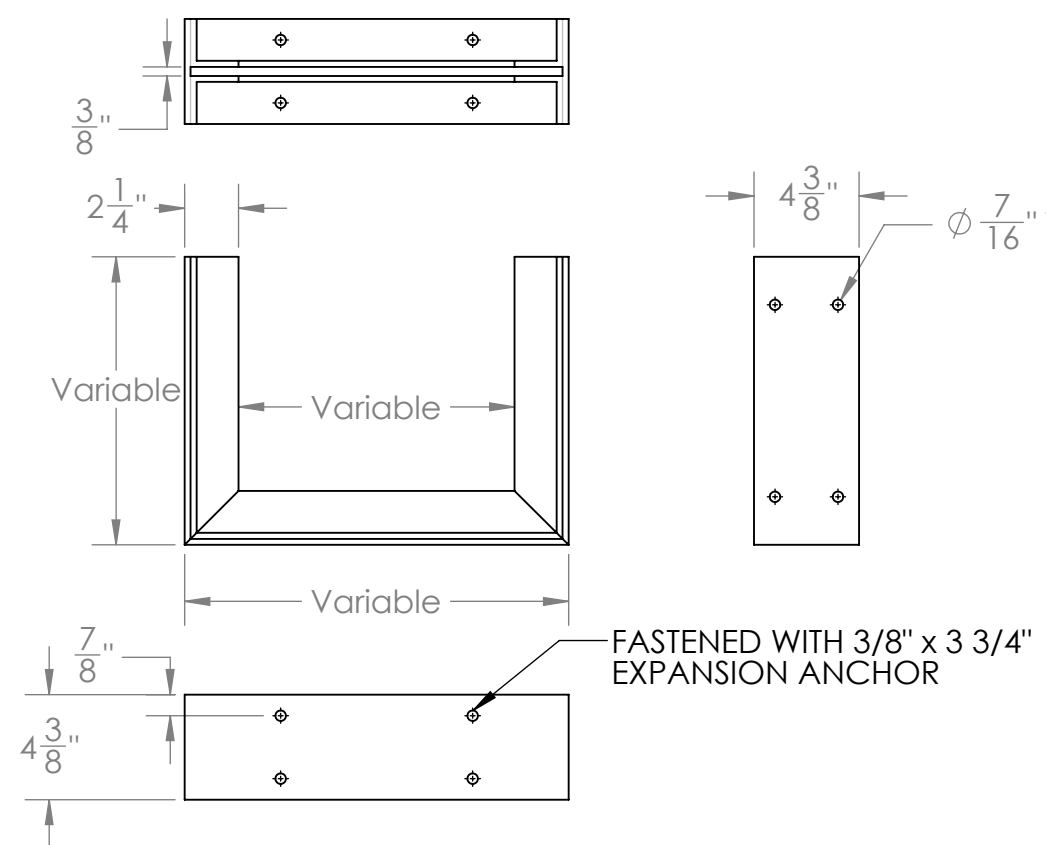
Cross Section Gate With Balsa



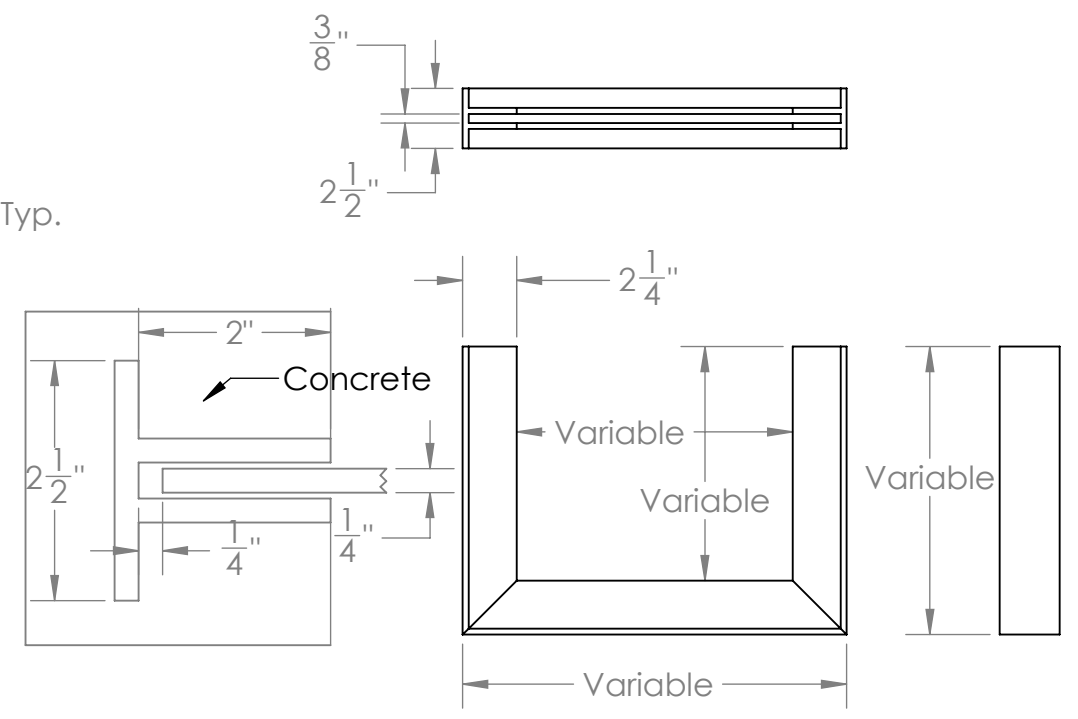
Typ. Aluminum Handel Detail.
Secure Handle to Gate using: 1/2" x 1 1/2" HHMB; 1/2" Hex Nut; & (2) 1/2" Flat Washers



J - Seal
PER ENGINEER OR CONTRACTORS REQUEST



SURFACE MOUNT GUIDE DETAILS



EMBEDDED GUIDE DETAIL

SHEET NO.1	DIVISION: NWTP
	DRAWN BY:
	CHECKED BY:
GATE AND GUIDE DETAILS	APPROVED BY:
	DATE: x

SCALE:
REF:



NO.	REVISIONS	DATE
1		

NATIONAL WATER TREATMENT PRODUCTS has no responsibility for the contract design of the product or the contract specifications. NWTP has been selected to manufacture this product, the customer agrees to indemnify and hold NWTP harmless from and against all merchantability and fitness for purpose (including all liability for claims, suits, judgements and expenses), unless the product as manufactured by NWTP does not conform to the contract design and specifications set or NWTP's shop drawings approved by the customer.