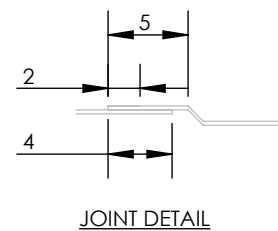
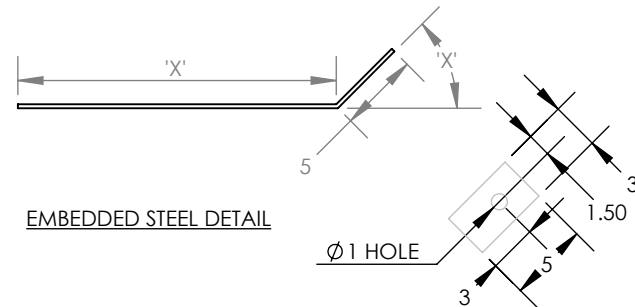


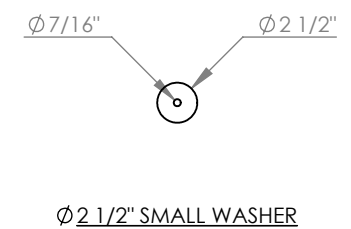
WALL MOUNTING DETAIL



JOINT DETAIL



EMBEDDED STEEL DETAIL



$\phi 2 1/2"$ SMALL WASHER

NOTE: STEEL ANGLE TO BE COMPLETELY ENCAPSULATED IN FIBERGLASS. ALL DIMENSIONS ARE IN INCHES.

SHEET NO.	DIVISION: NWTP		NO.	REVISIONS	DATE	NATIONAL WATER TREATMENT PRODUCTS has no responsibility for the contract design of the product or the contract specifications. NWTP has been selected to manufacture this product, the customer agrees to indemnify and hold NWTP harmless from and against all merchantability and fitness for purpose (including all liability for claims, suits, judgements and expenses), unless the product as manufactured by NWTP does not conform to the contract design and specifications set or NWTP's shop drawings approved by the customer.
	DRAWN BY: x					
x	CHECKED BY:					
	APPROVED BY:					
	DATE: x		SCALE:	TITLE: Density Baffle Details Typical Density Baffle	REF:	